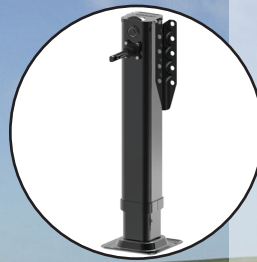
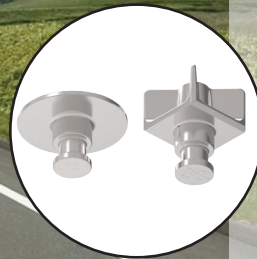


Trailer Products Catalog



Landing Gear



Kingpins



Turntables



Fifth Wheels
For Converter Dollies

1770 Hayes St.
Grand Haven, MI 49417
800-253-5105
Fax: 616-846-0310
www.jostinternational.com

Table Of Contents

Landing Gear Product Line.....	1
A400 Series.....	2
A440 Series.....	4
A450 Series.....	6
H450 Series.....	8
UL500 Series.....	10
AX100 Series.....	12
Drop Legs	
A400 Series.....	14
A500 Series.....	16
Parts List.....	18
Kingpin Product Line.....	19
AAR Cruciform Style.....	20
SAE Mushroom Style.....	22
SAE Spool Style.....	24
Bolt In Style.....	26
Turntables.....	28
Fifth Wheel for Converter Dollies.....	30

Landing Gear Product Line



	Standard A400	Magnum 5 Year A440	Magnum 10 Year A450	Heavy Duty 10 Year H450	Ultralight UL500	Alumilight AX100
Static Load Capacity*	160,000 lbs	170,000 lbs	170,000 lbs	200,000 lbs	160,000 lbs	160,000 lbs
Lift Capacity	55,000 lbs	62,500 lbs	62,500 lbs	70,000 lbs	50,000 lbs	55,000 lbs
Side Load Capacity*	29,000 lbs	33,000 lbs	33,000 lbs	33,000 lbs	26,000 lbs	29,000 lbs

*When properly braced on a trailer

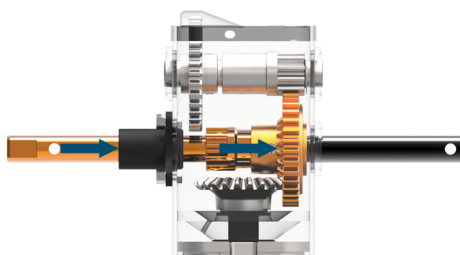
Meets all TTMA & AAR Specifications

Features

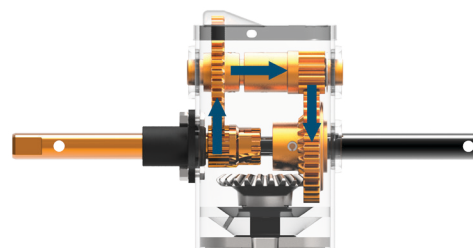
- No External Gearbox
- All Austempered Ductile Iron Gears
- Spline Shifting
- Double "D" Crank

Benefits

- Gears Protected and No Shaft Misalignment
- Gears Will Not Wear Out
- Easy Shifting
- Transfers Crank Torque Directly Into Shaft



High Gear 3.5 Turns/Inch



Low Gear 32 Turns/Inch



A400 Series Landing Gear



Design Features

- Internal gearbox protects gears and prevents shaft misalignment.
- Cover and bushings sealed to keep moisture out.
- Double "D" style shaft allows crank force to go directly into the gearbox, not torquing the bolt.
- 10 bolt mounting pattern adds mounting rigidity.
- Reinforcing strap at the bottom of the upper housing for added strength.
- Austempered ductile iron gears will not wear out.

Capacities & Ratings

Maximum Static Load Rating*
160,000 lbs

Rated Lift Capacity**:
55,000

Side Load Capacity*:
29,000 per set

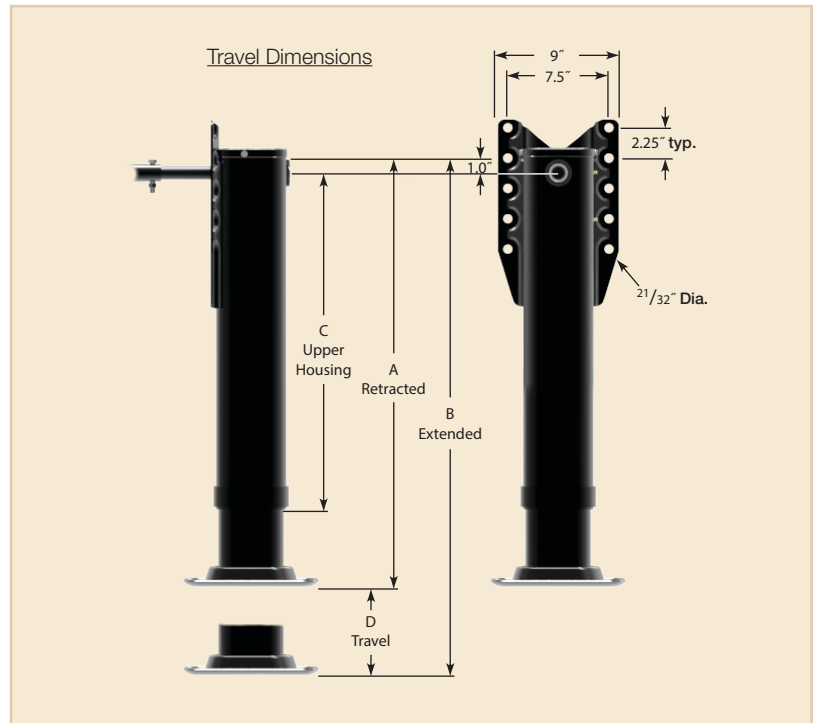
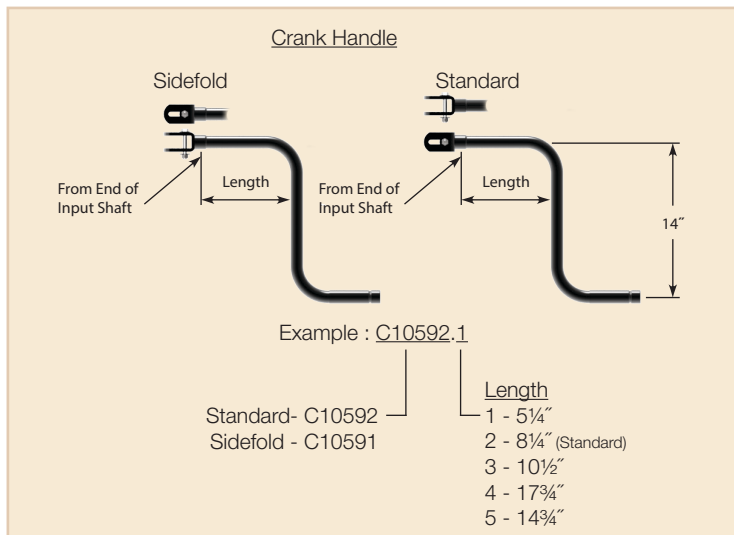
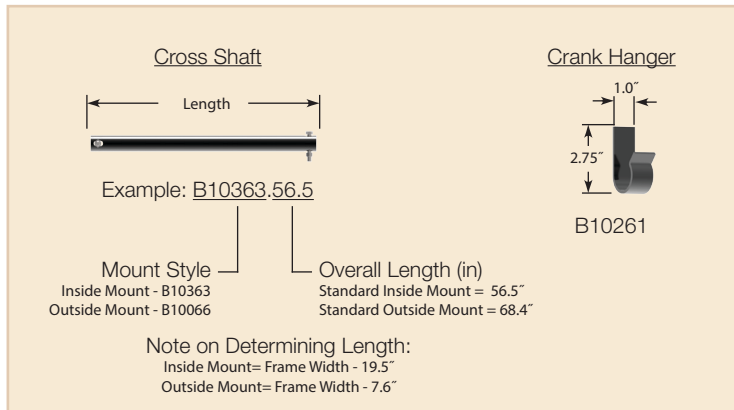
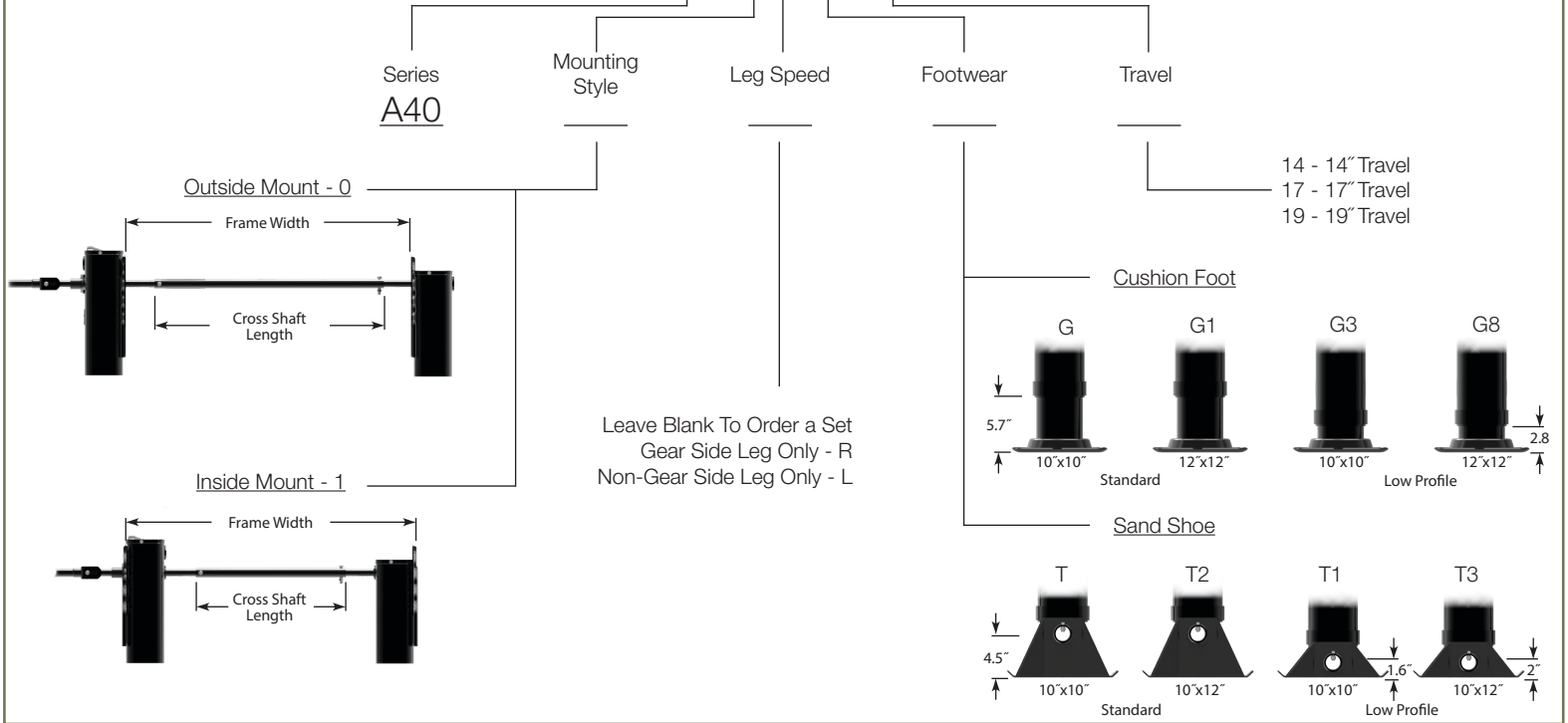
*When properly braced on a trailer.

**With 100ft-lbs input torque.

Gear Ratio

Low Gear: 32 Turns = 1" Travel
High Gear: 3.5 Turns = 1" Travel

A400 .G.17



D Travel	Shoe Style								C Upper Hsg.
	G, G1		T, T2		T3		T1, G3, G8		
	Ext.	Ret.	Ext.	Ret.	Ext.	Ret.	Ext.	Ret.	
14	42 5/8"	28 5/8"	42 3/4"	28 3/4"	40 1/4"	26 1/4"	39 3/4"	25 3/4"	21 15/16"
17	48 5/8"	31 5/8"	48 3/4"	31 3/4"	46 1/4"	29 1/4"	45 3/4"	28 3/4"	24 15/16"
19	52 5/8"	33 5/8"	52 3/4"	33 3/4"	50 1/4"	31 1/4"	49 3/4"	30 3/4"	26 15/16"



A440 Magnum Series Landing Gear



Design Features

- Elevating screw is fully encased in a grease tube.
- Legs are completely sealed and all shafts have seals to keep moisture out.
- Double "D" style shaft allows crank force to go directly into the gearbox, not torquing the bolt.
- Gearbox is completely filled with low temperature grease.
- Austempered ductile iron gears will not wear out.
- 10 bolt mounting pattern adds mounting rigidity.
- Reinforcing strap at the bottom of the upper housing for added strength.

Capacities & Ratings

Maximum Static Load Rating*
170,000 lbs

Rated Lift Capacity**:
62,500 lbs

Side Load Capacity*:
33,000 lbs per set

*When properly braced on a trailer.

**With 100ft-lbs input torque.

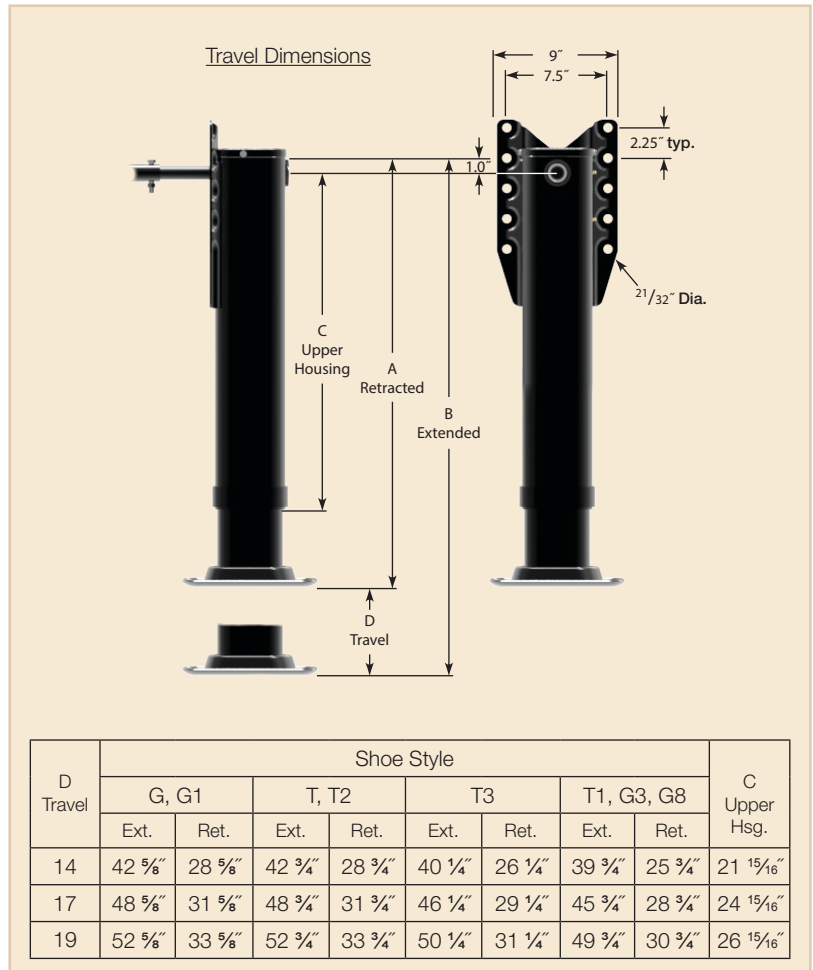
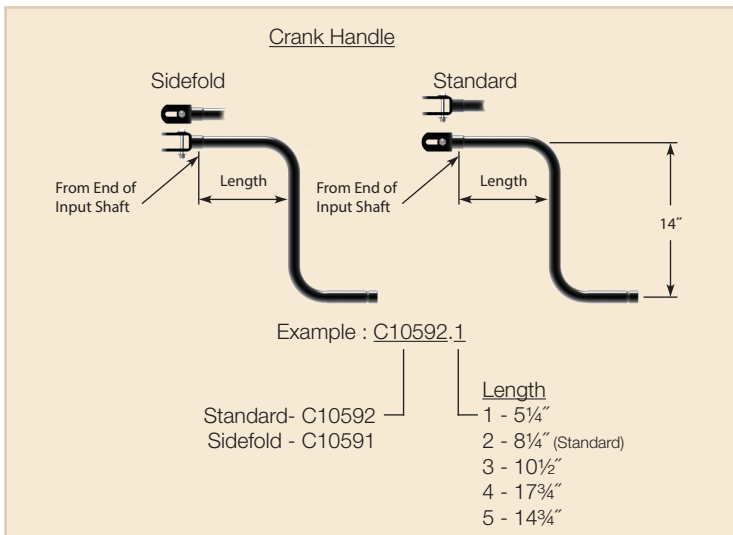
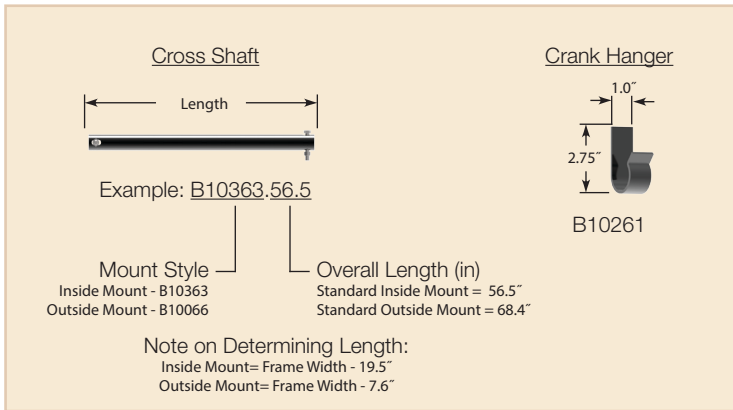
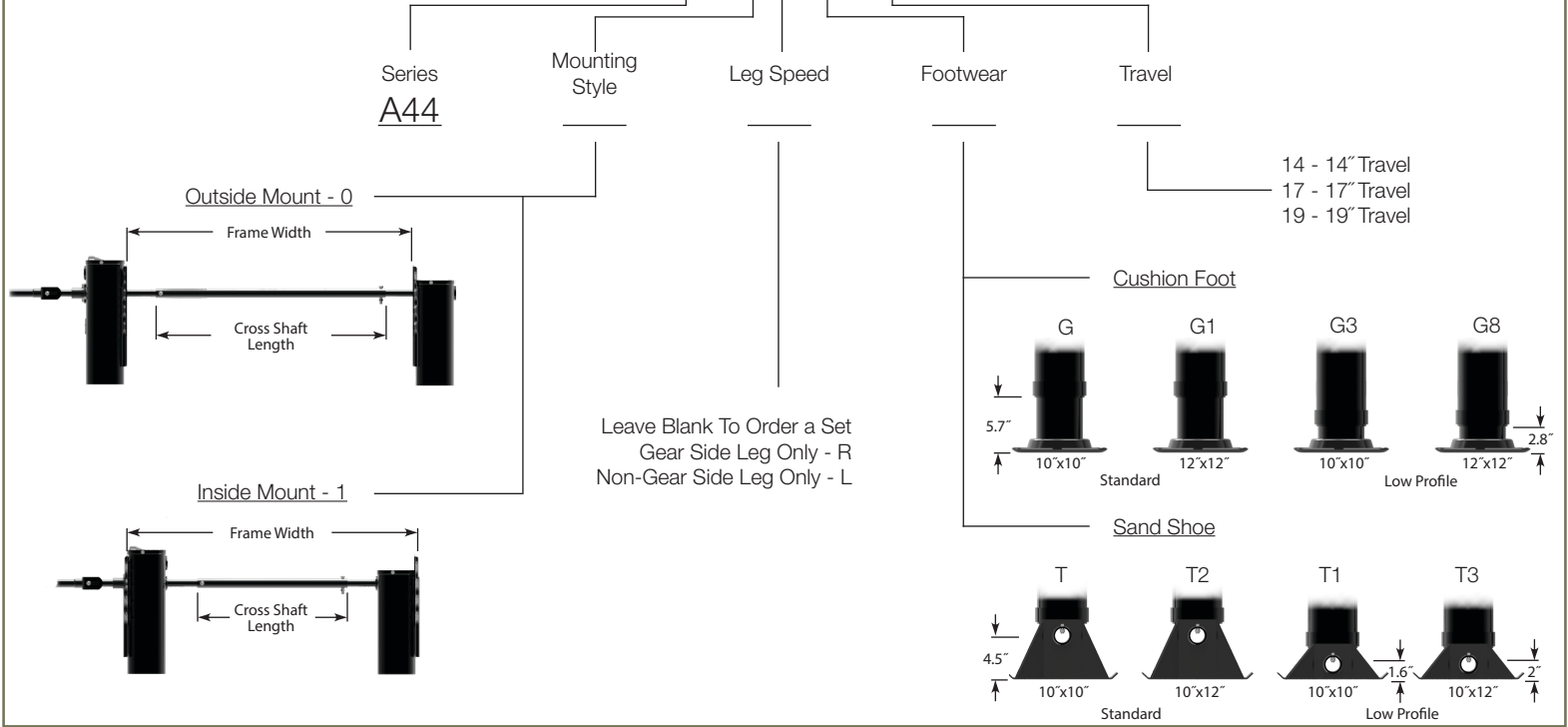
Gear Ratio

Low Gear: 32 Turns = 1" Travel

High Gear: 3.5 Turns = 1" Travel

5 Years Maintenance Free

A440 .G.17





A450 Magnum Series Landing Gear



Design Features

- Increased lift nut hardness to increase strength and reduce wear.
- Elevating screw is fully encased in a rechargeable powder coated grease tube.
- Legs are completely sealed and all shafts have seals to keep moisture out.
- Double "D" style shaft allows crank force to go directly into the gearbox, not torquing the bolt.
- Gearbox is completely filled with low temperature grease.
- Hole added to lower leg to access grease fitting in rechargeable grease tube.
- Replaceable cushion foot for easy repair when worn or damaged.
- Austempered ductile iron gears will not wear out.

Capacities & Ratings

Maximum Static Load Rating*
170,000 lbs

Rated Lift Capacity**:
62,500

Side Load Capacity*:
33,000 per set

*When properly braced on a trailer.

**With 100ft-lbs input torque.

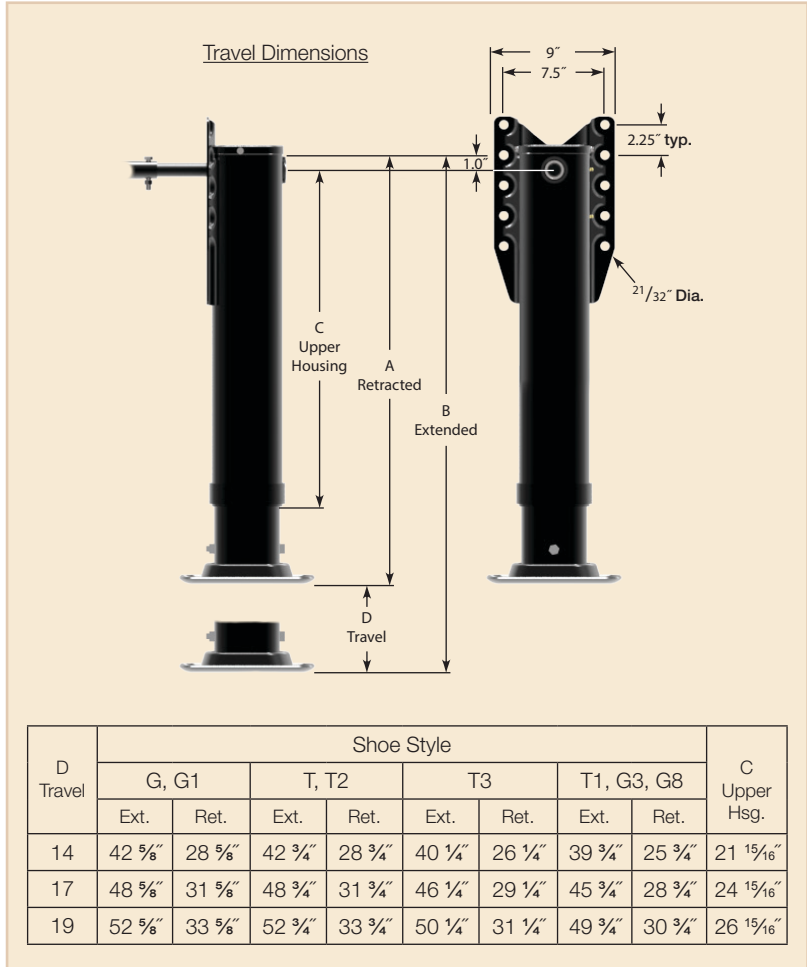
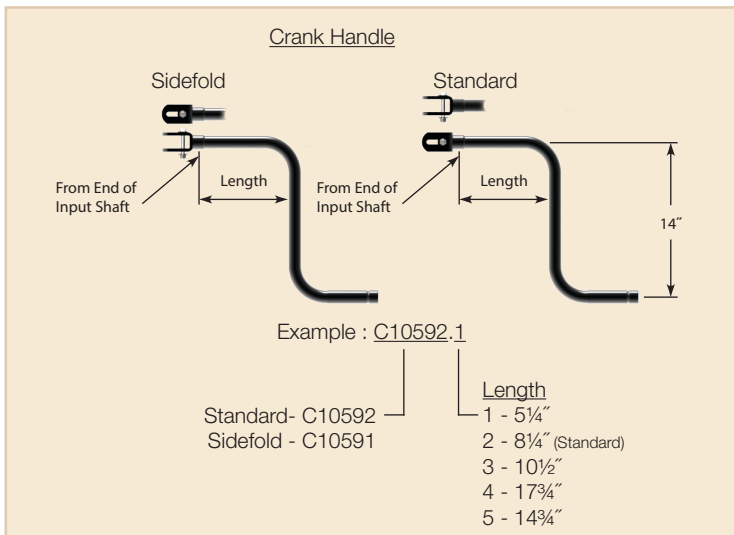
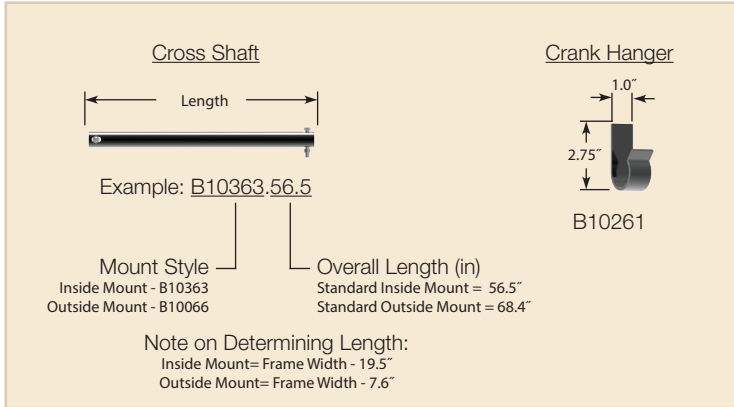
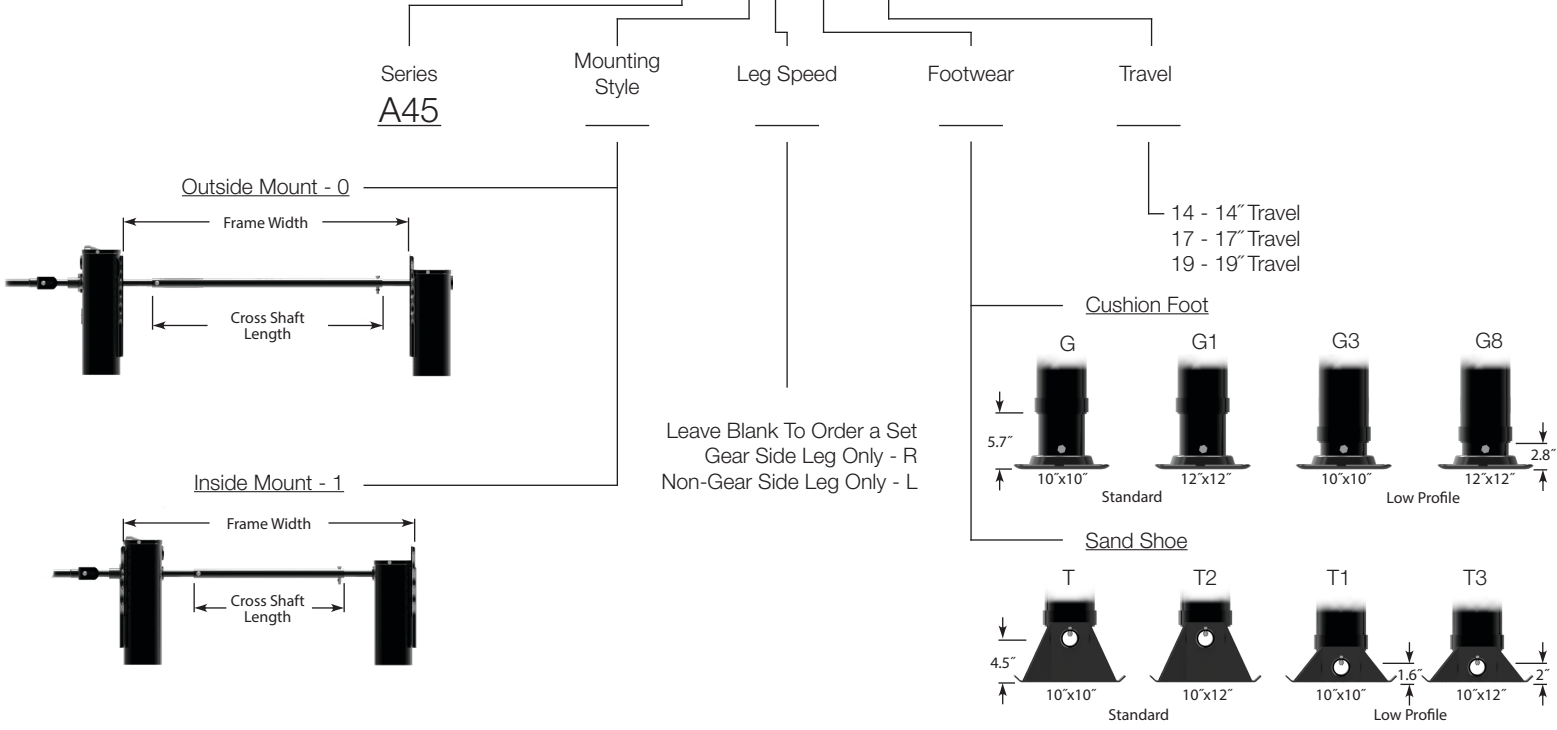
Gear Ratio

Low Gear: 32 Turns = 1" Travel

High Gear: 3.5 Turns = 1" Travel

10 Year Extended Warranty
5 Years Maintenance Free

A450 .G.17





H450 Magnum Landing Gear



Design Features

- 10 Year Warranty
- Elevating screw is fully encased in a rechargeable powder coated grease tube.
- Legs are completely sealed and all shafts have seals to keep moisture out.
- Double "D" style shaft allows crank force to go directly into the gearbox, not torquing the bolt.
- Gearbox is completely filled with low temperature grease.
- Austempered ductile iron gears will not wear out.
- Heavy duty 2" reinforcing strap at the bottom of the upper housing for added strength.
- Welded Thrust Collar
- Heavy Duty Thrust Bearing
- Available in all shoe styles.
- Hole added to lower leg to access grease fitting in rechargeable grease tube.
- Replaceable cushion foot for easy repair when worn or damaged.

Capacities & Ratings

Maximum Static Load Rating*
200,000 lbs

Rated Lift Capacity:
70,000 lbs

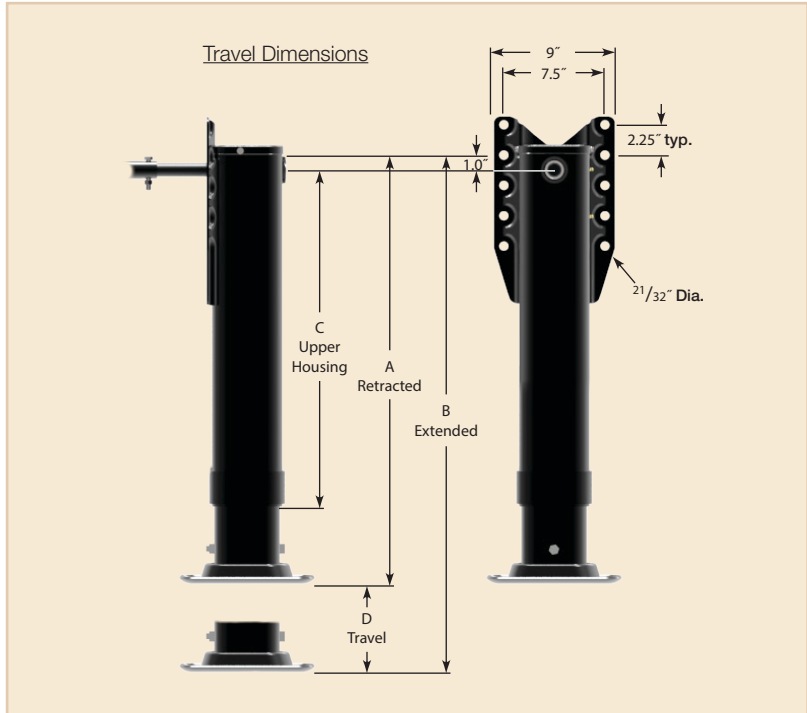
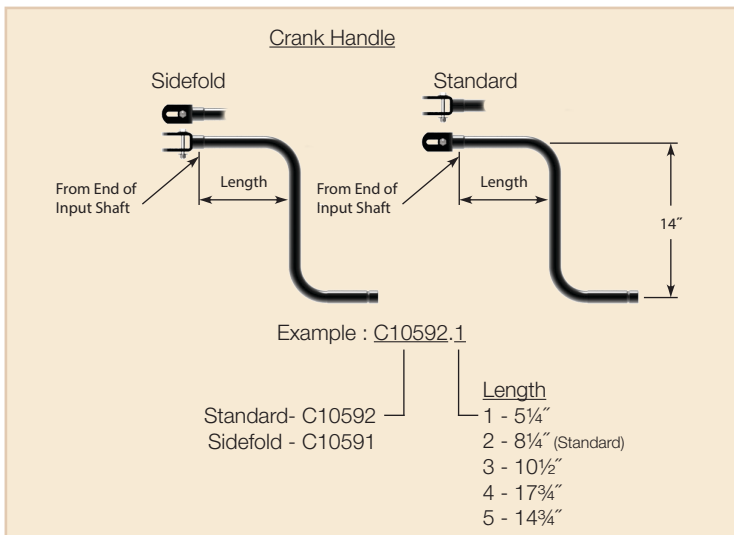
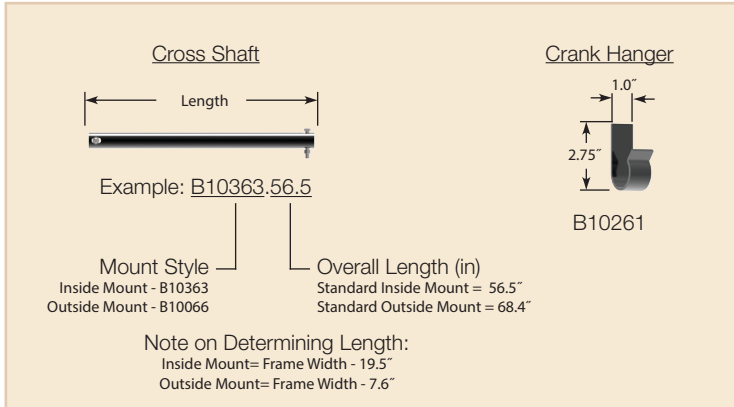
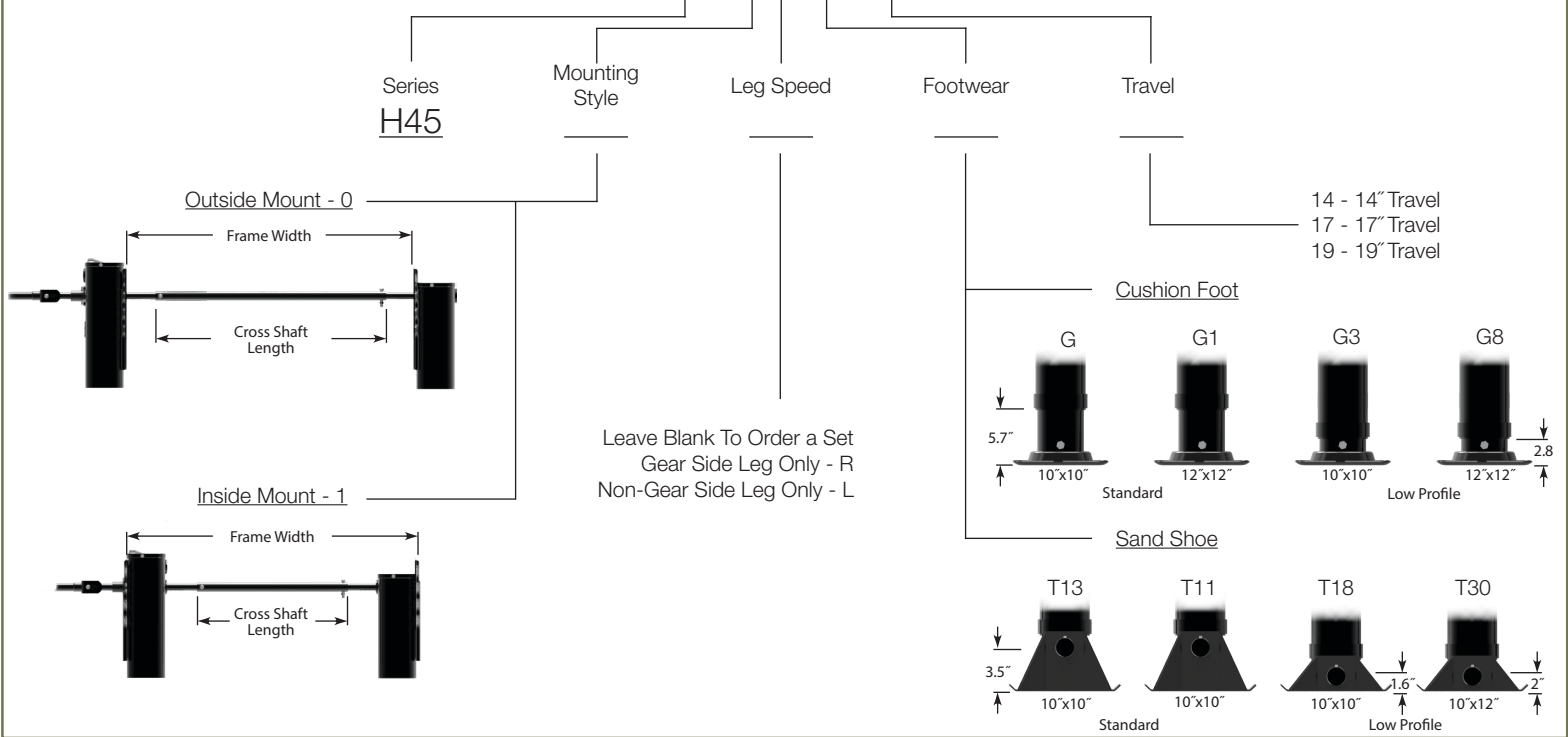
Side Load Capacity*:
33,000 lbs per set

*When properly braced on a trailer.

Gear Ratio
Low Gear: 32 Turns = 1" Travel
High Gear: 3.5 Turns = 1" Travel

10 Year Extended Warranty
5 Years Maintenance Free

H450 .G.17



D Travel	Shoe Style								C Upper Hsg.
	G, G1		T13, T11		T30		T18, G3, G8		
	Ext.	Ret.	Ext.	Ret.	Ext.	Ret.	Ext.	Ret.	
14	42 5/8"	28 5/8"	42 3/4"	28 3/4"	40 1/4"	26 1/4"	39 3/4"	25 3/4"	21 15/16"
17	48 5/8"	31 5/8"	48 3/4"	31 3/4"	46 1/4"	29 1/4"	45 3/4"	28 3/4"	24 15/16"
19	52 5/8"	33 5/8"	52 3/4"	33 3/4"	50 1/4"	31 1/4"	49 3/4"	30 3/4"	26 15/16"



UL500 ULTRALIGHT Series Landing Gear

*Weight Savings of at Least 27 lbs Per Set!
Same Trusted Design, New Lightweight Material*



Design Features

- The same trusted gearbox.
- Legs are completely sealed to keep moisture out.
- HSLA flange material provides low weight and increased strength.
- HSLA material on both the upper and lower tube provides low weight and increased strength.
- Double "D" style shaft allows crank force to go directly into the gearbox, not torquing the bolt.
- Available as UL540 5 yr Magnum and UL550 10 yr Magnum.

Capacities & Ratings

Maximum Static Load Rating*
160,000 lbs

Rated Lift Capacity**:
50,000

Side Load Capacity*:
26,000 per set

*When properly braced on a trailer.

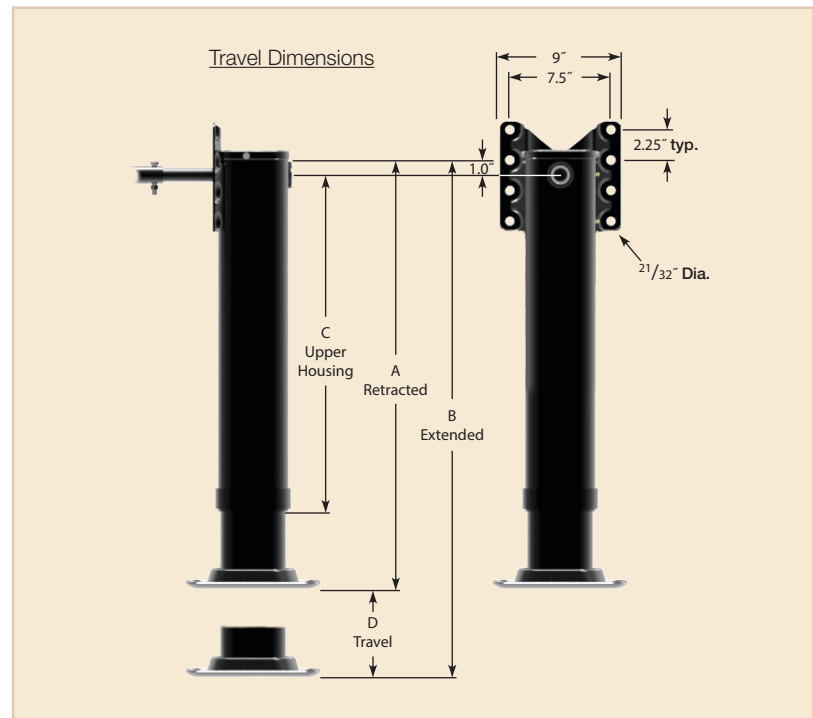
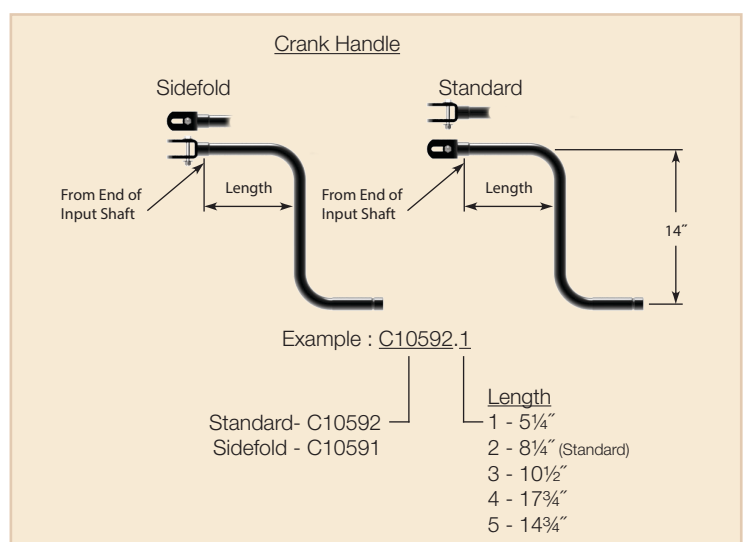
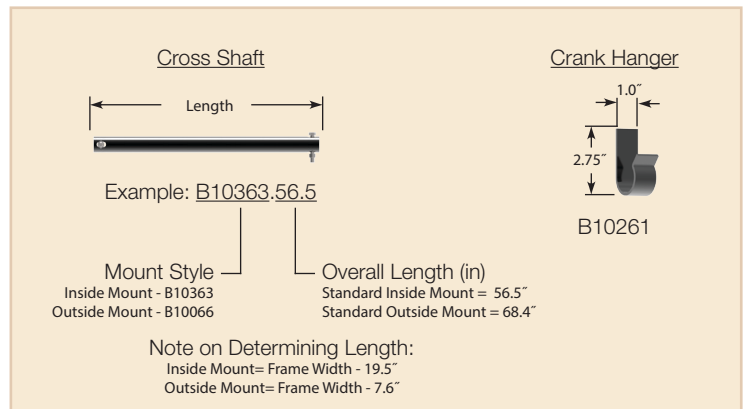
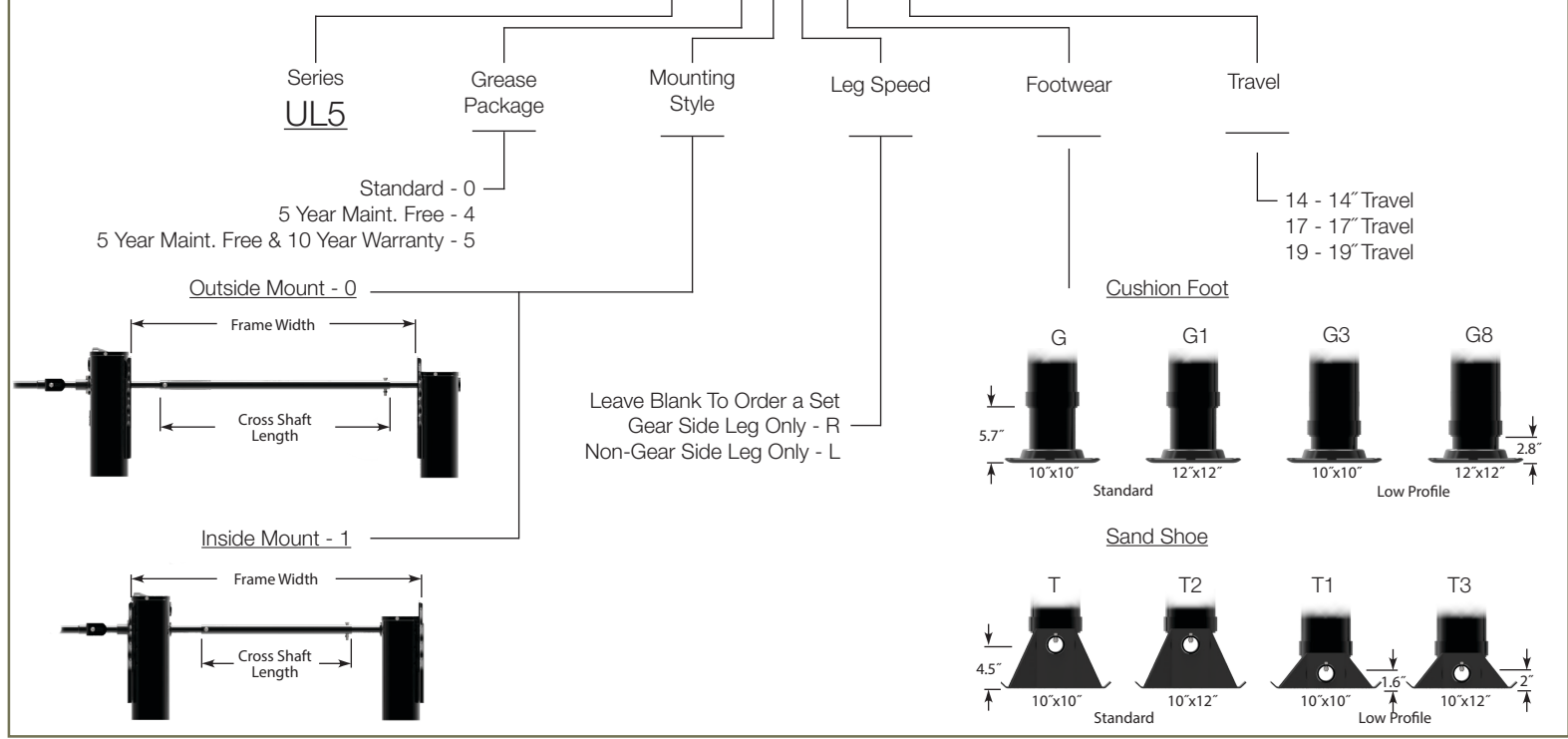
**With 100ft-lbs input torque.

Gear Ratio

Low Gear: 32 Turns = 1" Travel

High Gear: 3.5 Turns = 1" Travel

UL500 .G.17



D Travel	Shoe Style								C Upper Hsg.
	G, G1		T, T2		T3		T1, G3, G8		
	Ext.	Ret.	Ext.	Ret.	Ext.	Ret.	Ext.	Ret.	
14	42 5/8"	28 5/8"	42 3/4"	28 3/4"	40 1/4"	26 1/4"	39 3/4"	25 3/4"	21 15/16"
17	48 5/8"	31 5/8"	48 3/4"	31 3/4"	46 1/4"	29 1/4"	45 3/4"	28 3/4"	24 15/16"
19	52 5/8"	33 5/8"	52 3/4"	33 3/4"	50 1/4"	31 1/4"	49 3/4"	30 3/4"	26 15/16"

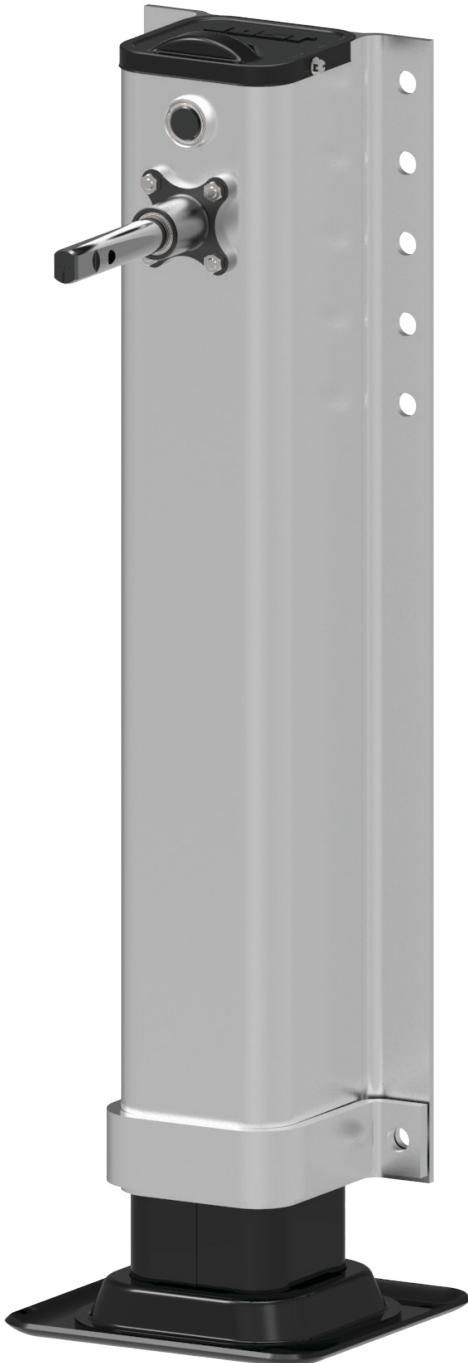


AX100 ALUMILIGHT Series Landing Gear

*Aluminum Hybrid Landing Gear Series
Weight Savings of at Least 50 lbs Per Set!*

Design Features

- Steel cover sealed with silicone to keep moisture out.
- Available in outside and inside mount.
- 6061-T6 extruded aluminum upper leg for durability.
- Standard JOST gear train allows easy interchangeability.
- A 3/8" x 2" reinforcing strap for superior side load strength.
- Polyester coated HSLA steel lower leg.
- All standard JOST ground members available.
- Available as AX140 5 yr Magnum and AX150 10 yr Magnum.



Capacities & Ratings

Maximum Static Load Rating*
160,000 lbs

Rated Lift Capacity**:
55,000

Side Load Capacity*:
29,000 per set

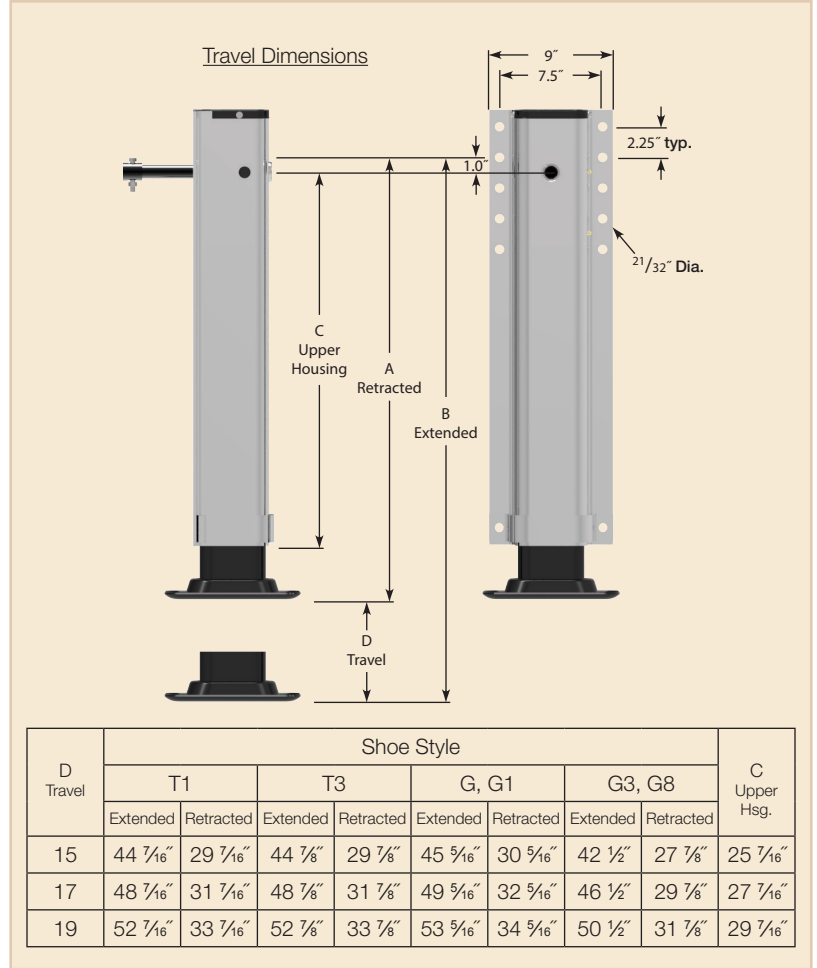
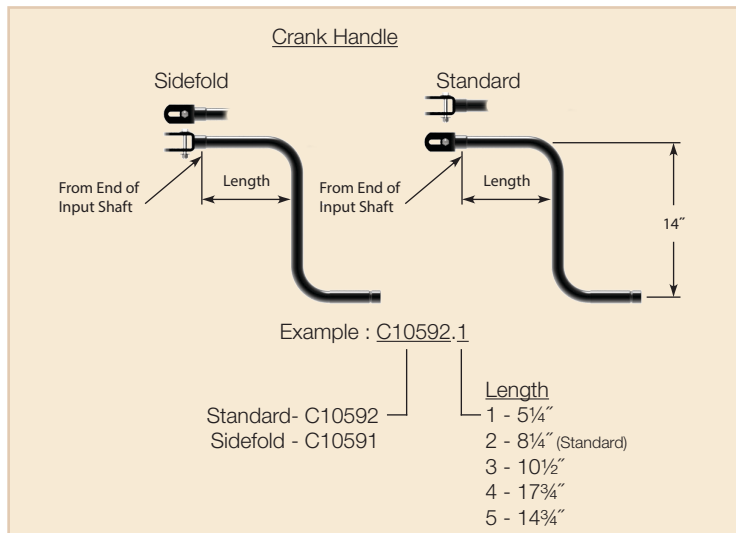
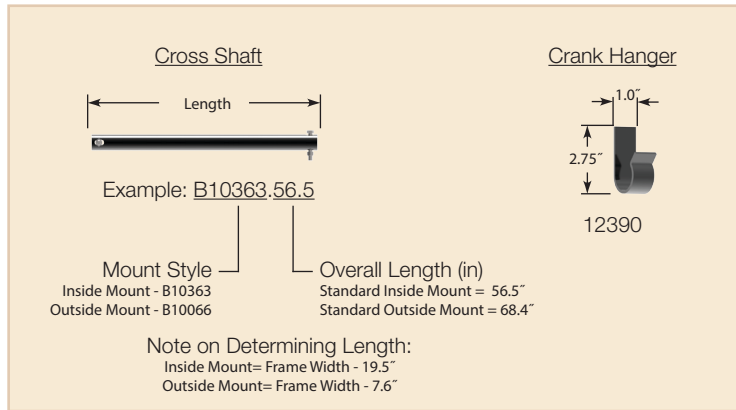
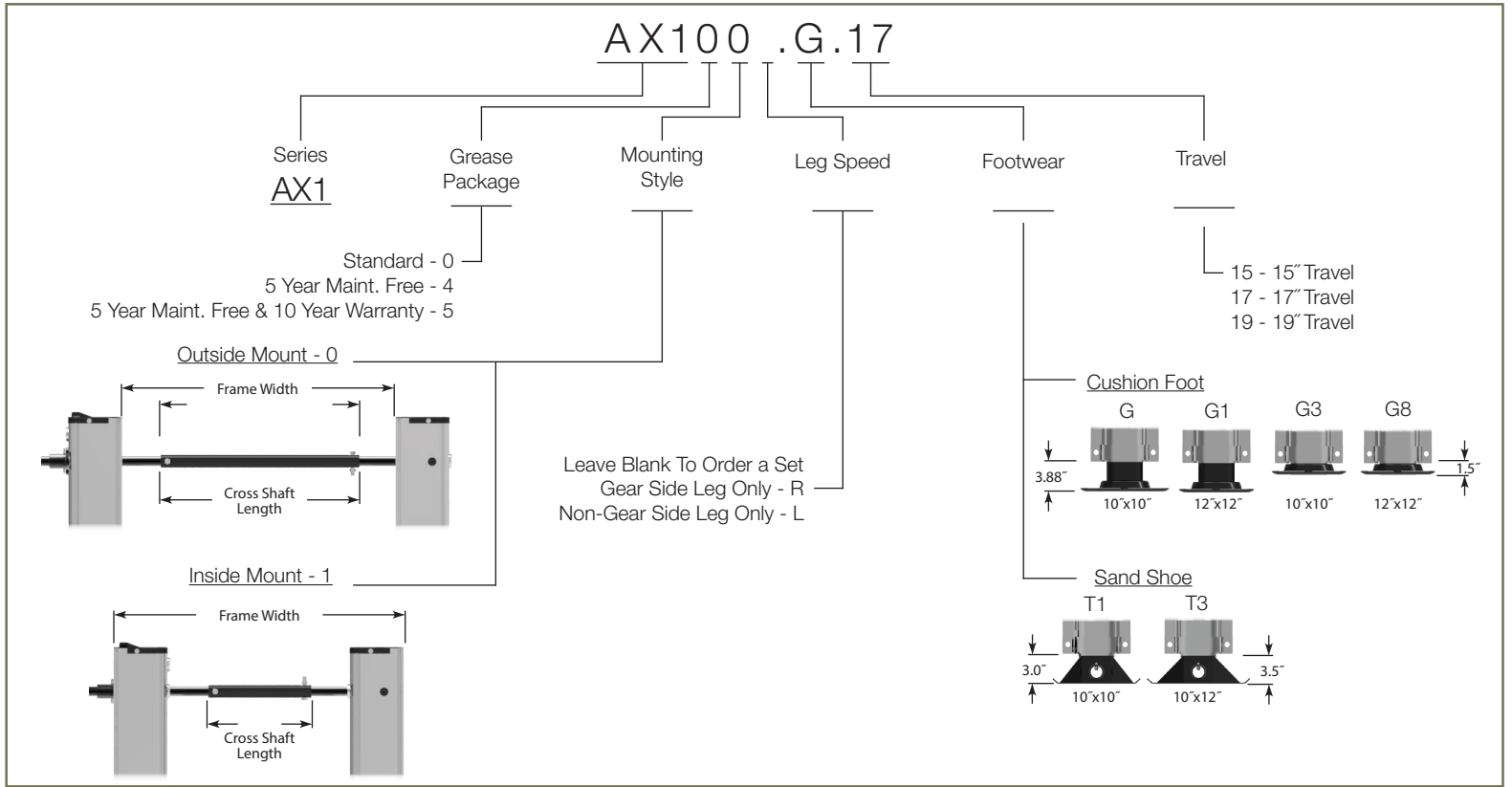
*When properly braced on a trailer.

**With 100ft-lbs input torque.

Gear Ratio

Low Gear: 32 Turns = 1" Travel

High Gear: 3.5 Turns = 1" Travel



A400 Series Drop Leg



Drop Leg Features

- Spring assisted retraction for easy drop leg use.
- Convenient down stop prevents over extension.
- Easy twist handle allows for quick extension and retraction of the drop leg.

Design Features

- The same trusted gearbox.
- Continues to have all the benefits of our standard A400 series.
- Cover and bushings sealed to keep moisture out.
- 10 bolt mounting pattern adds mounting rigidity.

Capacities & Ratings

Maximum Static Load Rating*
25,000 lbs per Set

Rated Lift Capacity**:
25,000 lbs per Set

Side Load Capacity*:
14,000 lbs per set

*When properly braced on a trailer.

**Not to exceed 40ft lbs of torque.

Gear Ratio

Low Gear: 32 Turns = 1" Travel

High Gear: 3.5 Turns = 1" Travel

Drop Leg Operation

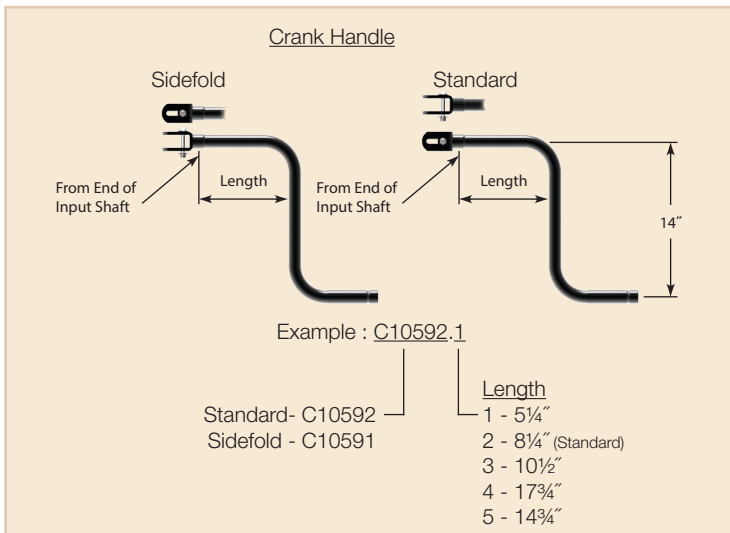
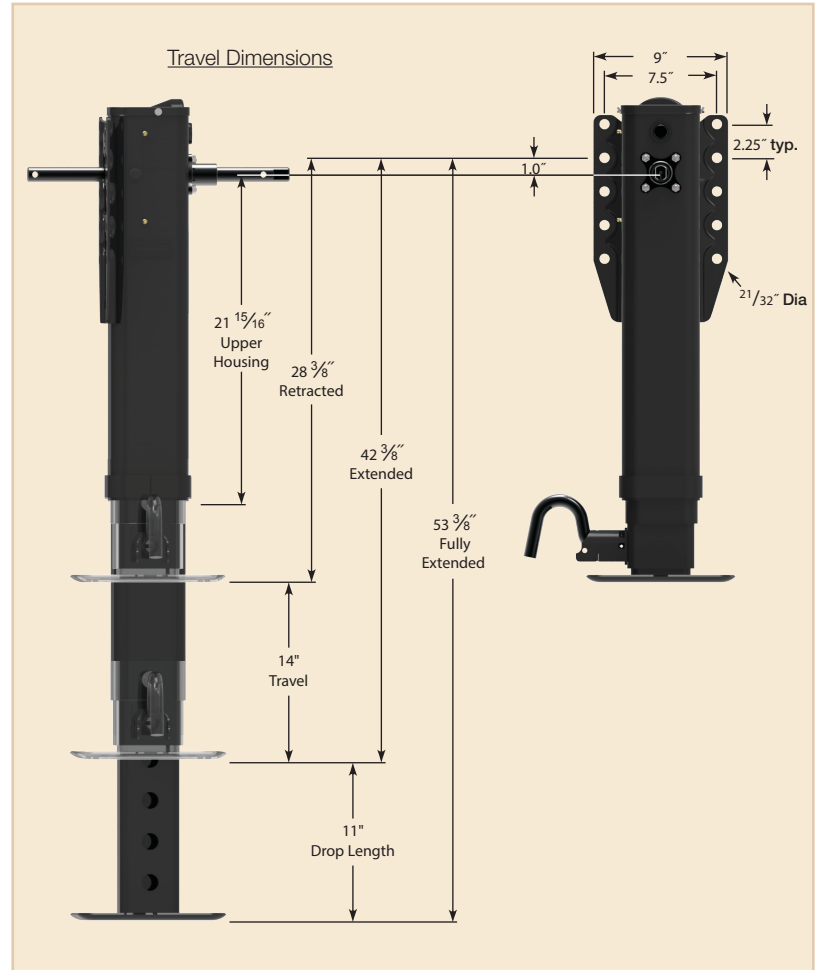
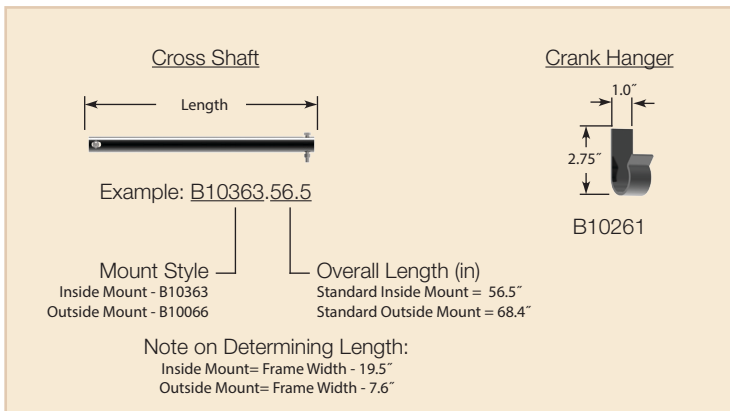
1. Rotate the handle to the released position.
2. Place foot on base plate and push to desired location.
3. Rotate the handle back to the locked position.
4. Lift foot slowly from the base plate until it automatically locks into the next hole position.

For complete operation procedures please request user's manual LT-LG01-14.



Part Number Options

Set of Landing Gear	A400.DD.14
Gear Side Leg Only	A400R.DD.14
Non-Gear Side Leg Only	A400L.DD.14





AD500 Series Landing Gear

AD500.E.25 Drop Leg



Design Features

- 25" Drop Length
- No Gearbox Needed
- 60,000 psi, minimum yield high strength low alloy steel.
- Height adjustable every 1".
- 8 bolt formed mounting flange reinforced to add mounting rigidity.
- Double reinforcing strap at the bottom of the upper housing for added strength.
- Each leg weighs only 62 lbs.

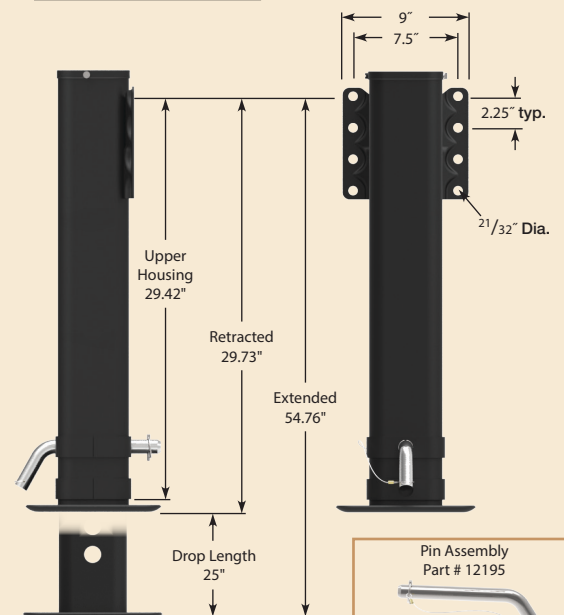
Capacities & Ratings

Load Capacity*:
20,000 lbs per leg

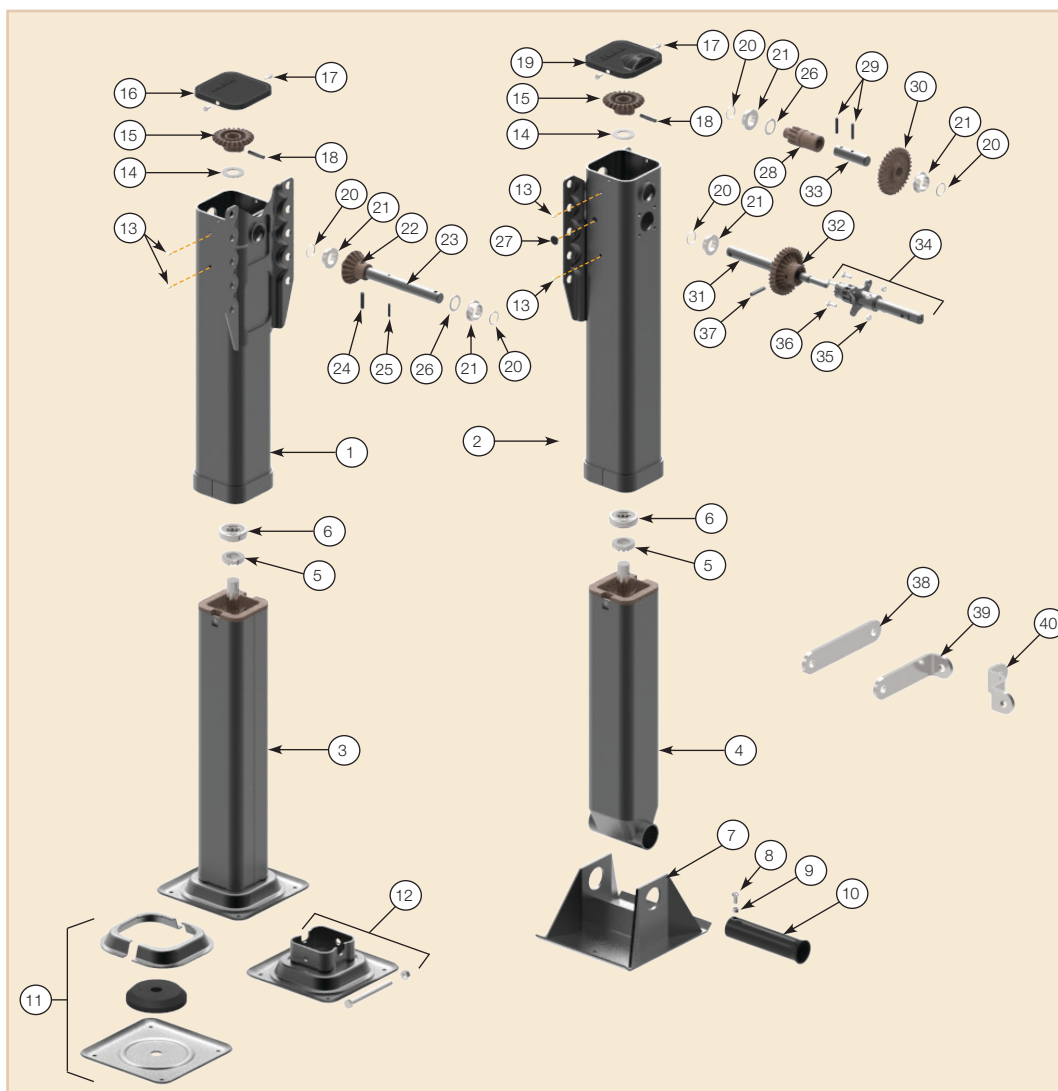
*When properly braced on a trailer.

Legs need to be ordered individually.

Travel Dimensions



Parts List for All Models



Item	Part Number	Description
1	Please Call Sales	Single Speed Upper Weldment
2	Please Call Sales	Two Speed Upper Weldment
3	Please Call Sales	Lower Leg Assembly for Cushion Foot
4	Please Call Sales	Lower Leg Assembly for Sand Shoe
5	A10101	Collar
6	Please Call Sales	Thrust Bearing
7	Please Call Sales	Sand Shoe
8	A10037.3	Hex Head Cap Screw
9	A10038.7	Lock Nut
10	B10036	Axle
11	C10717	10"x10" Weld On Cushion Foot Replacement Kit
11	C10989	12"x12" Weld On Cushion Foot Replacement Kit
12	12497	10"x10" Bolt On Cushion Foot Replacement Kit
12	12496	12"x12" Bolt On Cushion Foot Replacement Kit
13	A10040	Grease Fitting
14	A10102	Thrust Washer
15	C10155	Bevel Gear
16	C10259	Single Speed Cover
17	A10059.1	Cover Screw
18	A10052.3	Grooved Pin
19	C10217	Two Speed Cover

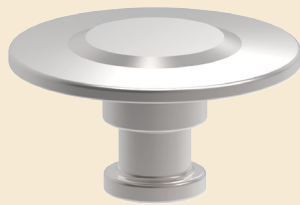
Item	Part Number	Description
20	A10283	Shaft Seal
21	A10255	Shaft Bushing
22	C10177	Pinion Gear
23	B10130	Single Speed Input Shaft
24	A10054.3	Roll Pin
25	A10054.6	Roll Pin
26	A10218	Washer
27	A10500	Button Plug
28	C10078	Output Spur Gear
29	A10260.1	Spiral Pin
30	C10085	Spur Idler Gear
31	B10236	Two Speed Output Shaft
32	C10234	Output Cluster Gear
33	A10212	Two Speed Idler Shaft
34	B10285	Shifter Assembly
35	A10038.6	Lock Nut
36	A10230	Shifter Housing Bolt
37	A10054.7	Roll Pin
38	C10262	Brace Lug - Flat
39	C10263	Brace Lug - 90°
40	C10108	Brace Lug - "W" (Standard)

Kingpin Product Line



AAR Cruciform

Part Number	Bolster Plate Thickness
<u>KZ AAR-X2-2.4</u>	<u>1/4"</u>
<u>KZ AAR-X3-2.4</u>	<u>5/16"</u>
<u>KZ AAR-X4-2.4</u>	<u>3/8"</u>
<u>KZ AAR-X2-3.6</u>	<u>1/4"</u>
<u>KZ AAR-X3-3.6</u>	<u>5/16"</u>
<u>KZ AAR-X4-3.6</u>	<u>3/8"</u>



SAE Mushroom

Part Number	Bolster Plate Thickness
<u>KZ T2</u>	<u>1/4"</u>
<u>KZ T3</u>	<u>5/16"</u>
<u>KZ T4</u>	<u>3/8"</u>
<u>KZ T5</u>	<u>1/2"</u>
<u>KZ T6</u>	<u>5/8"</u>



SAE Spool

Part Number	Bolster Plate Thickness
<u>KZ S2-2.0</u>	<u>1/4"</u>
<u>KZ S3-2.0</u>	<u>5/16"</u>
<u>KZ S4-2.0</u>	<u>3/8"</u>
<u>KZ S5-2.0</u>	<u>1/2"</u>
<u>KZ S2-2.9</u>	<u>1/4"</u>
<u>KZ S3-2.9</u>	<u>5/16"</u>
<u>KZ S4-2.9</u>	<u>3/8"</u>
<u>KZ S5-2.9</u>	<u>1/2"</u>



Bolt In

Part Number	Bolster Plate Thickness
<u>KZ 1007</u>	<u>1/4" (7mm)</u>
<u>KZ 1008</u>	<u>5/16" (8mm)</u>
<u>KZ 1010</u>	<u>3/8" (10mm)</u>
<u>KZ 1012</u>	<u>1/2" (12mm)</u>



AAR Cruciform Style Kingpin



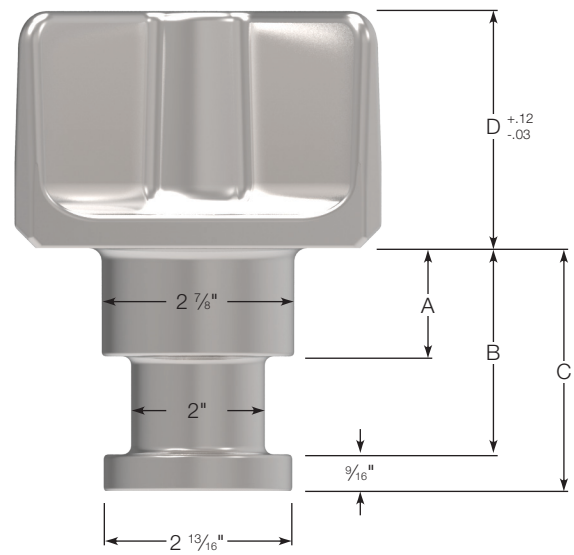
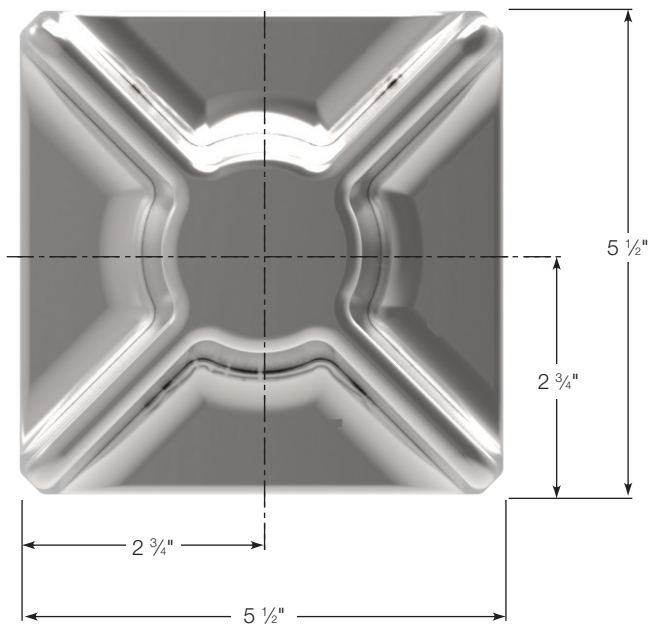
AAR kingpins are suitable for OEM and aftermarket replacement. They are intended to be installed by welding, using a procedure published by the American Welding Society or other technical organization. When properly installed they will meet or exceed the performance requirements of the American Association of Railroads (AAR) standard M-931 as well as the Society of Automotive Engineers (SAE) and the Truck and Trailer Manufacturers Association (TTMA).



Technical Specifications

- **MATERIAL – AISI 4320H**
- **HEAT TREATMENT**
Through hardened using a quench and temper process, which produces a surface hardness of 380-420 BHN.
- **STRENGTH**
At the above hardness the material will have an approximate 190,000 psi ultimate strength and 145,000 psi yield strength.
- **IMPACT AND WEAR RESISTANCE**
The high nickel alloy and heat treat process provides a good balance between hardness (wear resistance) and low brittleness (good impact resistance).
- **QUALITY ASSURANCE**
Rigid metallurgical cleanliness and quality standards including:
 - 100% Brinell Hardness testing.
 - 100% magnetic particle inspection.
 - 100% ultrasonic testing (MS105, tightened C = 0).

Cruciform Style - 4320H Steel Forging



Part Number	Bolster Plate Thickness	Weight	A	B	C	D
KZ AAR-X2-2.4	1/4"	15 lbs.	1.558"	3.012"	3.574"	2.44"
KZ AAR-X3-2.4	5/16"	15 lbs.	1.620"	3.074"	3.636"	2.44"
KZ AAR-X4-2.4	3/8"	15 lbs.	1.683"	3.137"	3.699"	2.44"
KZ AAR-X2-3.6	1/4"	18 lbs.	1.547"	3.001"	3.563"	3.46"
KZ ARR-X3-3.6	5/16"	18 lbs.	1.310"	3.064"	3.626"	3.46"
KZ AAR-X4-3.6	3/8"	18 lbs.	1.683"	3.137"	3.699"	3.46"



SAE Mushroom Style Kingpin



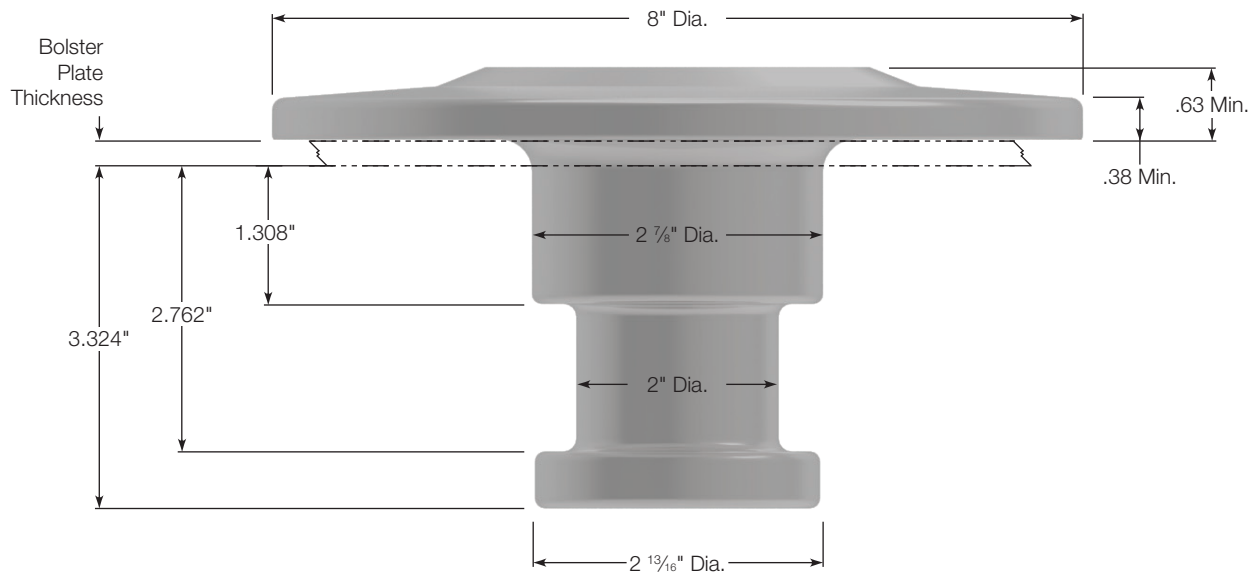
SAE kingpins are suitable for OEM and aftermarket replacement. They are intended to be installed by welding, using a procedure published by the American Welding Society or other technical organization. When properly installed they will meet or exceed the performance requirements of the Society of Automotive Engineers (SAE) and the Truck and Trailer Manufacturers Association (TTMA).



Technical Specifications

- **MATERIAL – AISI 8630H**
- **HEAT TREATMENT**
Through hardened using a quench and temper process, which produces a surface hardness of 302-363 BHN.
- **STRENGTH**
At the above hardness the material will have an approximate 150,000 psi ultimate strength and 115,000 psi yield strength.
- **IMPACT AND WEAR RESISTANCE**
The high nickel alloy and heat treat process provides a good balance between hardness (wear resistance) and low brittleness (good impact resistance).
- **QUALITY ASSURANCE**
Rigid metallurgical cleanliness and quality standards including:
 - 100% Brinell Hardness testing.
 - 100% magnetic particle inspection.
 - 100% ultrasonic testing (MS105, tightened C = 0).

Mushroom Style - 8630H Steel Forging



Part Number	Bolster Plate Thickness	Weight
KZ T2	1/4"	14 lbs.
KZ T3	5/16"	14 lbs.
KZ T4	3/8"	14 lbs.
KZ T5	1/2"	14 lbs.
KZ T6	5/8"	14 lbs.



SAE Spool Style Kingpin



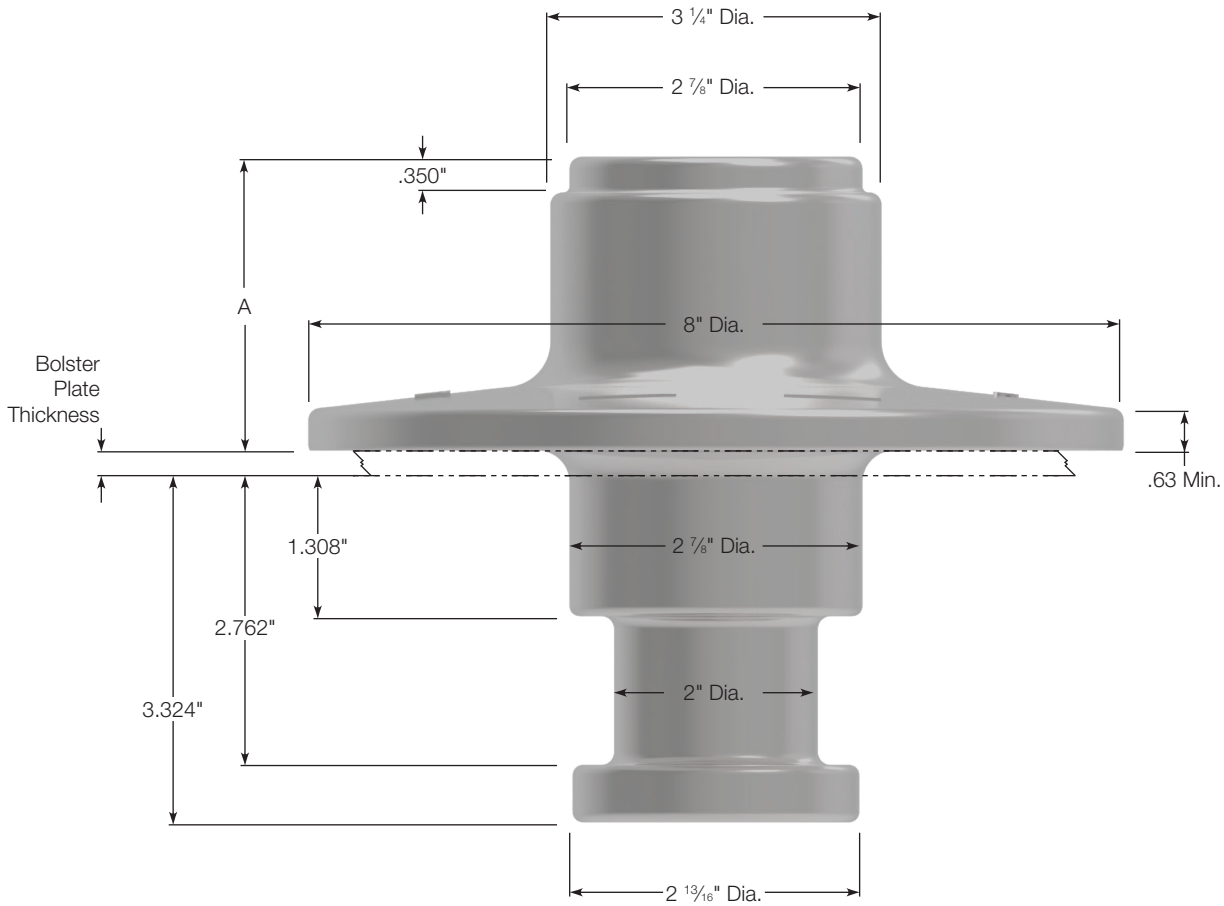
SAE kingpins are suitable for OEM and aftermarket replacement. They are intended to be installed by welding, using a procedure published by the American Welding Society or other technical organization. When properly installed they will meet or exceed the performance requirements of the Society of Automotive Engineers (SAE) and the Truck and Trailer Manufacturers Association (TTMA).



Technical Specifications

- **MATERIAL – AISI 8630H**
- **HEAT TREATMENT**
Through hardened using a quench and temper process, which produces a surface hardness of 302-363 BHN.
- **STRENGTH**
At the above hardness the material will have an approximate 150,000 psi ultimate strength and 115,000 psi yield strength.
- **IMPACT AND WEAR RESISTANCE**
The high nickel alloy and heat treat process provides a good balance between hardness (wear resistance) and low brittleness (good impact resistance).
- **QUALITY ASSURANCE**
Rigid metallurgical cleanliness and quality standards including:
 - 100% Brinell Hardness testing.
 - 100% magnetic particle inspection.
 - 100% ultrasonic testing (MS105, tightened C = 0).

Spool Style - 8630H Steel Forging



Part Number	Bolster Plate Thickness	Dimension A	Weight
KZ S2-2.0	1/4"	2"	16 lbs
KZ S3-2.0	5/16"	2"	16 lbs
KZ S4-2.0	3/8"	2"	16 lbs
KZ S5-2.0	1/2"	2"	16 lbs
KZ S2-2.9	1/4"	2 7/8"	18 lbs
KZ S3-2.9	5/16"	2 7/8"	18 lbs
KZ S4-2.9	3/8"	2 7/8"	18 lbs
KZ S5-2.9	1/2"	2 7/8"	18 lbs



Bolt In Style Kingpin

JOST bolt in kingpins are suitable for OEM and aftermarket replacement. Once the retention plate is installed the kingpin can be easily replaced in minutes by just removing the mounting bolts. The retention plate is intended to be incorporated into the design of the upper coupler structure similar to that of an SAE mushroom style weld in kingpin. It must be welded using a procedure published by the American Welding Society, or other technical organization.

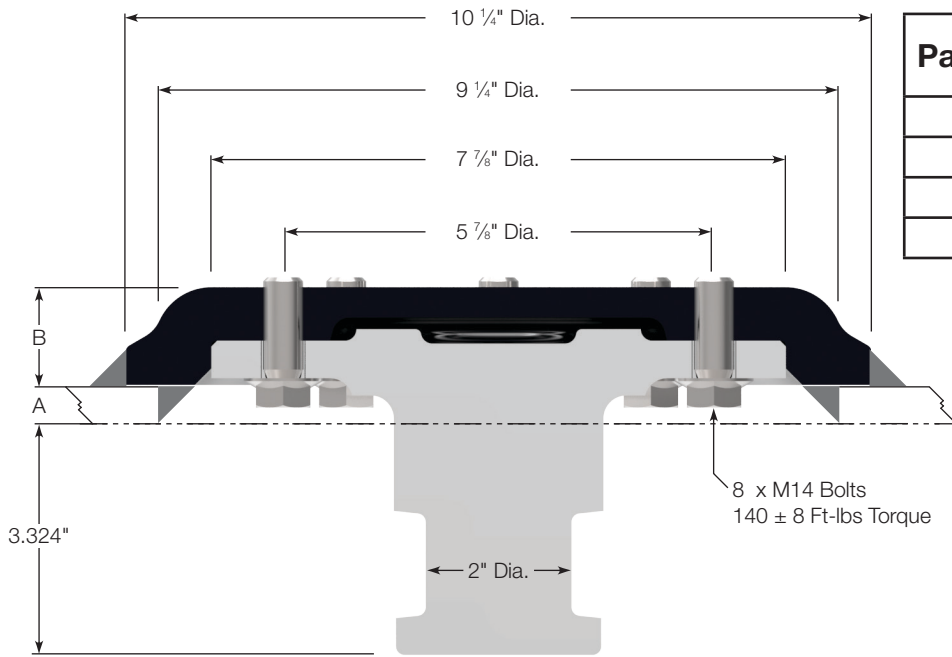
When properly installed bolt in kingpins will meet or exceed the performance requirements of the Federal Motor Carrier Safety Regulations (FMCSR), The Society of Automotive Engineers (SAE) and the Truck and Trailer Manufacturers Association (TTMA).



Design Features

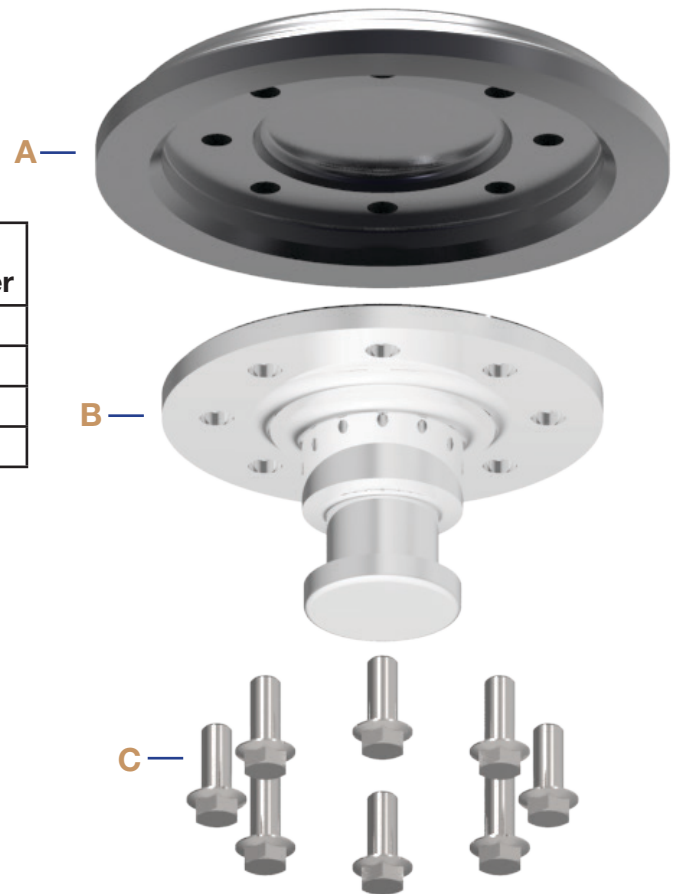
- Bolt in kingpins allow for easy and fast replacement of the kingpin, and at much less cost than weld in kingpins.
- The kingpin flange and bolts are recessed in the retention plate reducing the possibility of center loading of the fifth wheel.
- JOST kingpins are manufactured and inspected using the most stringent safety requirements.
- The retention plate is manufactured from ST-52-3 Steel (similar to ASTM A572 Grade 50).

Bolt In Style Kingpin



Part Number	Dimension A Bolster Plate	Dimension B
KZ 1007	1/4" (7 mm)	1 15/32" (37 mm)
KZ 1008	5/16" (8 mm)	1 15/32" (37 mm)
KZ 1010	3/8" (10 mm)	1 11/32" (34 mm)
KZ1012	1/2" (12 mm)	1 5/16" (33 mm)

Assembly Part Number	Retention Plate (A) Part Number	Kingpin (B) Part Number	Bolt (C) Part Number
KZ 1007	KZ 1007-02	KZ 1012-01	KZ 1012-03
KZ 1008	KZ 1008-02	KZ 1012-01	KZ 1012-03
KZ 1010	KZ 1010-02	KZ 1012-01	KZ 1012-03
KZ 1012	KZ 1012-02	KZ 1012-01	KZ 1012-03



The kingpin retention plate installation must conform to SAE and TTMA recommended practices.

Bolts must be tightened and properly torqued as described in the product information details. For safety reasons the bolts should only be tightened and torqued once. If removed they should be replaced.

Single Row Ball Bearing Turntables

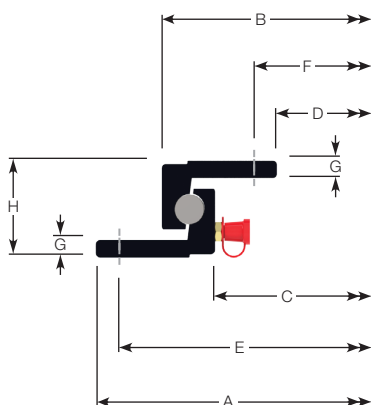
Single row ball bearing turntables are for trailers and agricultural vehicles, connecting the A-frame to the trailer chassis. The turntable allows the axle to turn relative to the trailer frame transferring both the axial, and radial forces. The lower (outer) ring is bolted to the A-frame and the upper ring (inner) is bolted to the chassis.



Double Row Ball Bearing Turntables

Double row ball turntables guarantee optimum distribution of the axial and radial forces. This design has proven through years of different applications. Double row ball turntables are used in particular when the vehicle application requires both precision and strength in design and material.





L and N Style Turntables

Application:

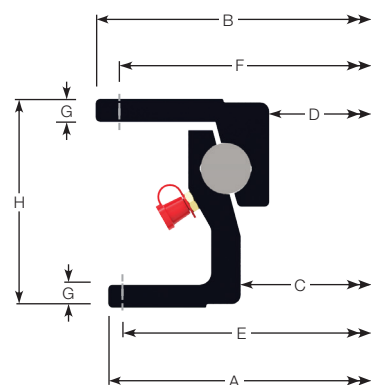
L Series: Farm vehicles and trailers up to 15 mph.

N Series: Farm vehicles and trailers over 15 mph.

All load data for L and N series applies to use on paved roads in steering systems.

Specifications: Standard Lubrication, Undrilled

Type	A	B	C	D	E	F	G	H	Weight (lbs)	Axial Load Ton (Short)
400L	15 3/4"	13 7/16"	11 1/2"	9 1/16"	14 3/4"	10 1/4"	5/16"	1 3/4"	23	0.84
500L	19 11/16"	17 3/8"	15 7/16"	13"	18 11/16"	14 3/16"	5/16"	1 3/4"	31	1.01
650L	25 9/16"	23 5/16"	21 5/16"	18 7/8"	24 5/8"	20 1/16"	5/16"	1 3/4"	41	1.69
750L	29 1/2"	27 1/4"	25 1/4"	22 13/16"	28 9/16"	24"	5/16"	1 3/4"	47	2.02
850L	33 7/16"	31 3/16"	29 3/16"	26 3/4"	32 1/2"	27 15/16"	5/16"	1 3/4"	55	2.81
500N	19 11/16"	17 3/16"	15 1/8"	12 3/8"	18 11/16"	13 3/8"	5/16"	2 1/16"	47	2.02
650N	25 9/16"	23 1/8"	21"	18 5/16"	24 5/8"	19 5/16"	5/16"	2 1/16"	57	2.81
750N	29 1/2"	27 1/16"	24 15/16"	22 1/4"	28 9/16"	23 1/4"	5/16"	2 1/16"	65	3.37
850N	33 7/16"	31"	28 7/8"	26 3/16"	32 1/2"	27 3/16"	5/16"	2 1/16"	74	3.93
950N	37 3/8"	34 15/16"	32 13/16"	30 1/8"	36 7/16"	31 1/8"	5/16"	2 1/16"	82	4.5



HE Style Turntables

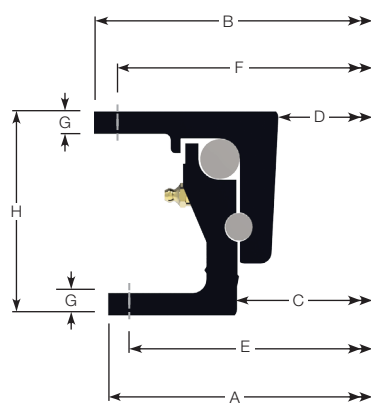
Application:

The specified axle load relates to use where the turntable is mounted on the front axle of a trailer with three axles travelling at speeds of up to 65 mph.

On dual-axle trailers, the specified axle loads can be exceeded by 10% (20% at speeds below 18 mph).

Specifications: Standard Lubrication, Drilled, Primed

Type	A	B	C	D	E	F	G	H	Weight (lbs)	Axial Load Ton (Short)
HE1000-22	39 3/8"	39 13/16"	34 7/8"	33 15/16"	37 13/16"	38 3/8"	3/8"	3 9/16"	138	11.24



DK Style Turntables

Application:

The specified axial load applies to vehicles travelling up to 65 mph. A 25% higher axial load is permitted for vehicles with speeds below 18 mph. Please contact JOST if the application will have off-center loads or in applications where there is more than a 360 rotation.

Specifications: Standard Lubrication, Drilled, Primed

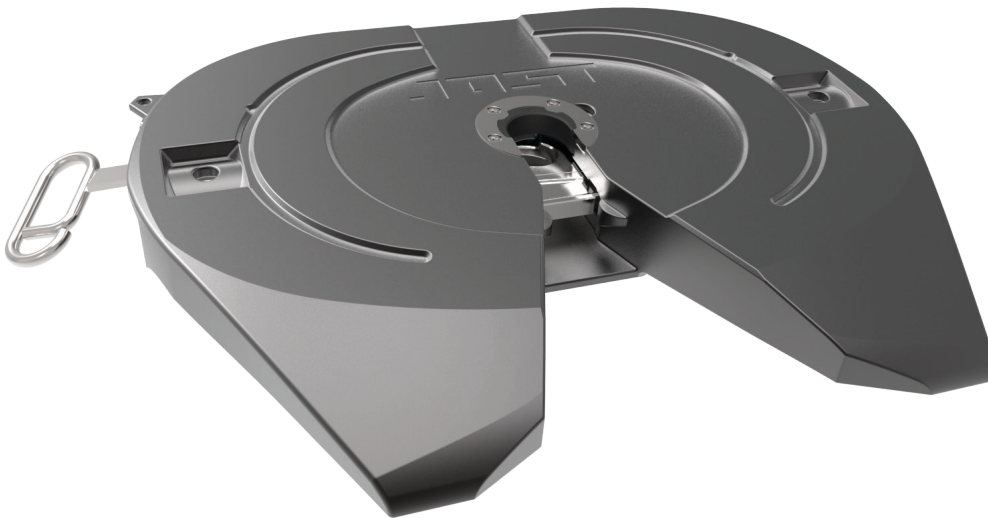
Type	A	B	C	D	E	F	G	H	Weight (lbs)	Axial Load Ton (Short)
DK 90/12	38 7/8"	39 3/8"	34 5/16"	32 13/16"	37 1/2"	38 1/16"	3/8"	3 9/16"	158	13.22
DK 90/16	43 1/8"	43 5/8"	38 9/16"	37 1/8"	41 3/4"	42 5/16"	3/8"	3 9/16"	180	17.63



JSK37010 Series Fifth Wheel

For Your Converter Dolly

The JOST JSK37010 is ideal for use in converter dolly applications. It is specially designed to reduce damage from the kingpin in the event of a miscouple. The JSK37010 includes all the same features as the standard JSK37 series with the added protection of a drop handle and internal adjustment.



Design Features

- Drop handle to prevent kingpin damage.
- Internal adjustment to prevent kingpin damage.
- Includes all the features of the JSK37 series.
- Same jaw rebuild kit as all other JSK37 series wheels.

Drop Handle



Internal Adjustment

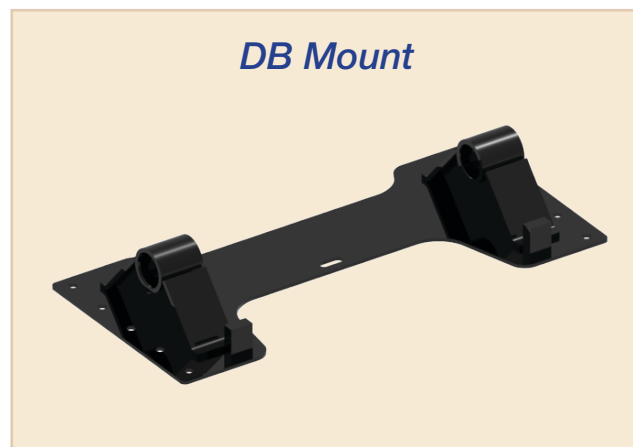
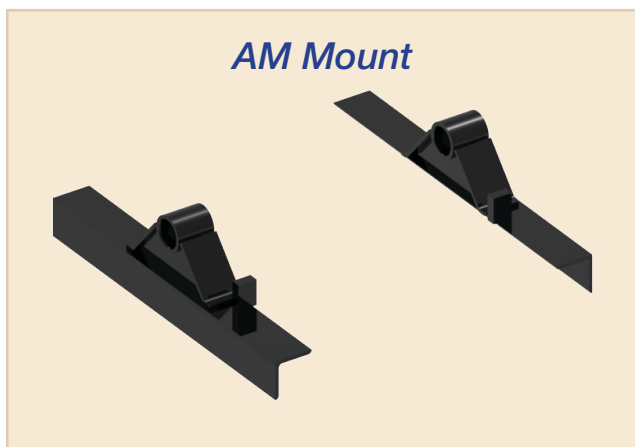
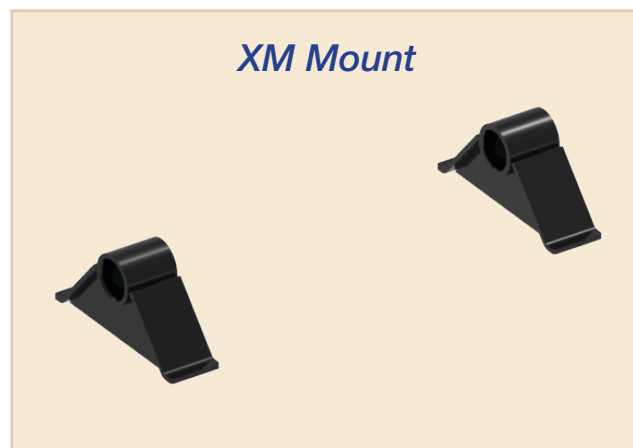


Capacities & Ratings

Maximum Vertical Rating
50,000 lbs

Maximum Horizontal Rating
150,000 lbs

Available Standard Mounts



*For ordering information and part numbers please contact customer support at 800-253-5105.

Please see our Fifth Wheel Catalog for our full line of fifth wheel products.

The reasons are simple.

JOST

History of JOST



- 1952 Establishment of the factory for turntables in Neu-Isenburg, Germany
- 1956 Production of fifth wheels begins at JOST
- 1960 Production begins in South Africa
Foundation of Great Britain Ltd. JOST
- 1970 Foundation of JOST Italia S.R.l.
Foundation of JOST South Africa (Pty.) Ltd
Foundation of JOST France
Foundation of JOST Belgium NV
- 1980 **Foundation of JOST International Corp. in Grand Haven, Michigan**
Foundation of JOST Iberica, Spain
Foundation of Australia Pty JOST Ltd
Production of landing gear doubles
- 1990 **Production of landing gear begins at Jost International**
Foundation of JOST Far East Pte. Ltd
Foundation of China JOST
Foundation of JOST Brazil
Foundation of Hungaria
Introduction of new product offerings for container equipment and intermodal equipment
- 1999 **Production of fifth wheels begins in Greeneville, Tennessee**
Acquisition of the Rockinger product line of tow bars and trailer hitches in Germany
Foundation of JOST Rus
Acquisition of REGENSBURGER
Acquisition of Tridec Steering Solutions
Foundation of JOST India
Foundation of JOST Polska
- 2012 Foundation of JOST Japan
Acquisition of Edbro Hydraulic Systems

JOST



TRIDEC

Edbro

JOST

JOST International
1770 Hayes Street
Grand Haven, MI 49417

Ph. 800-253-5105
Fax (616) 846-0310
www.jostinternational.com

SL-TP-001 Rev. B